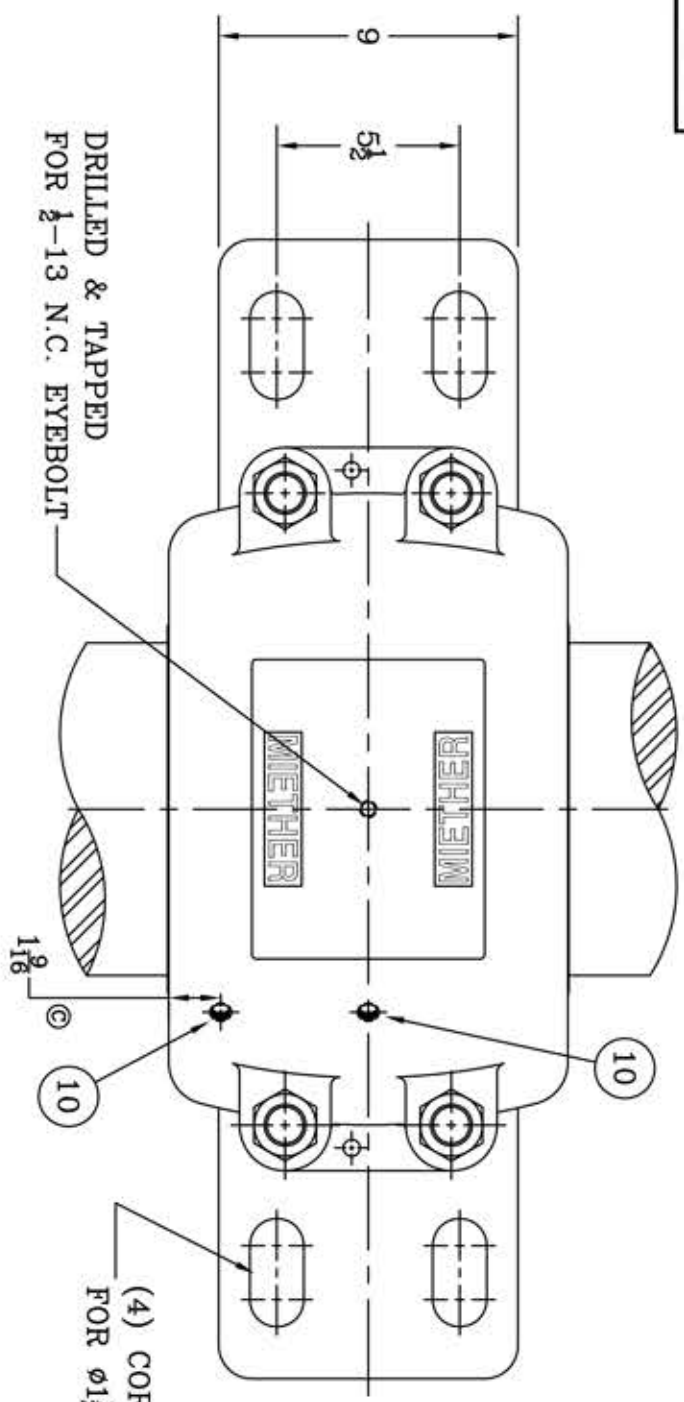


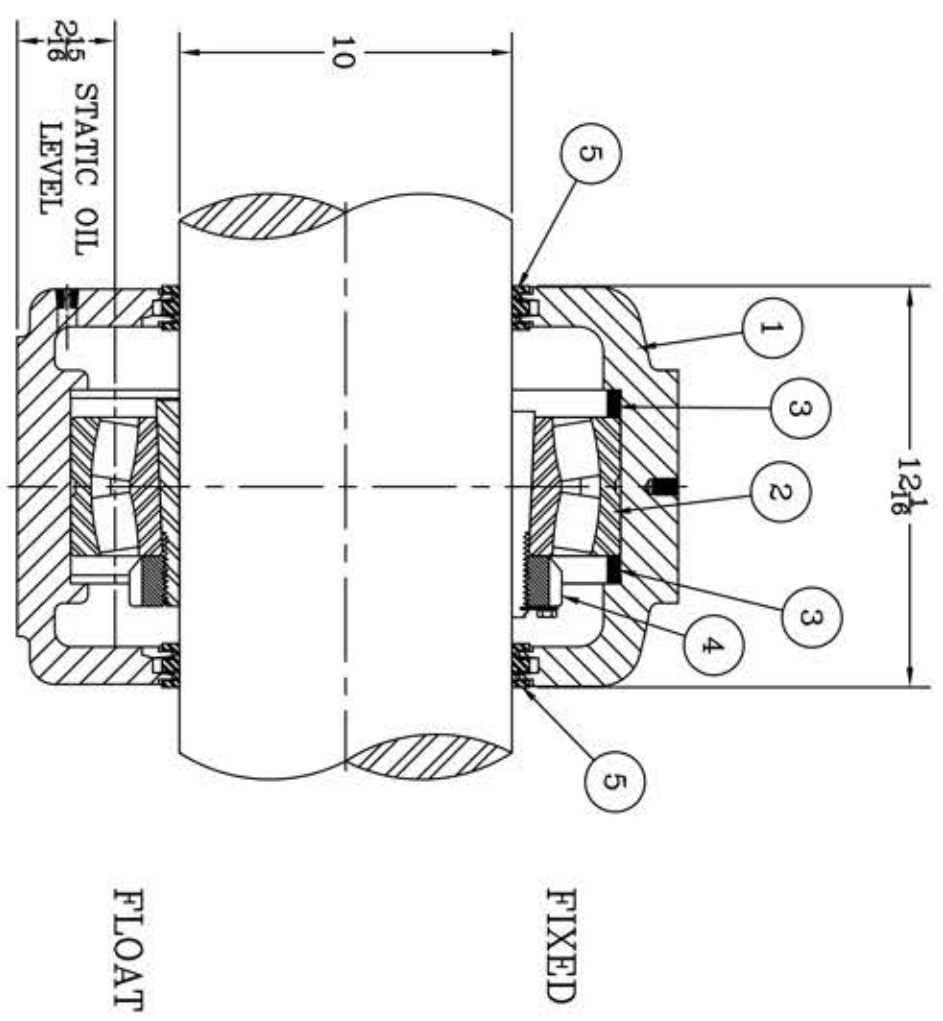
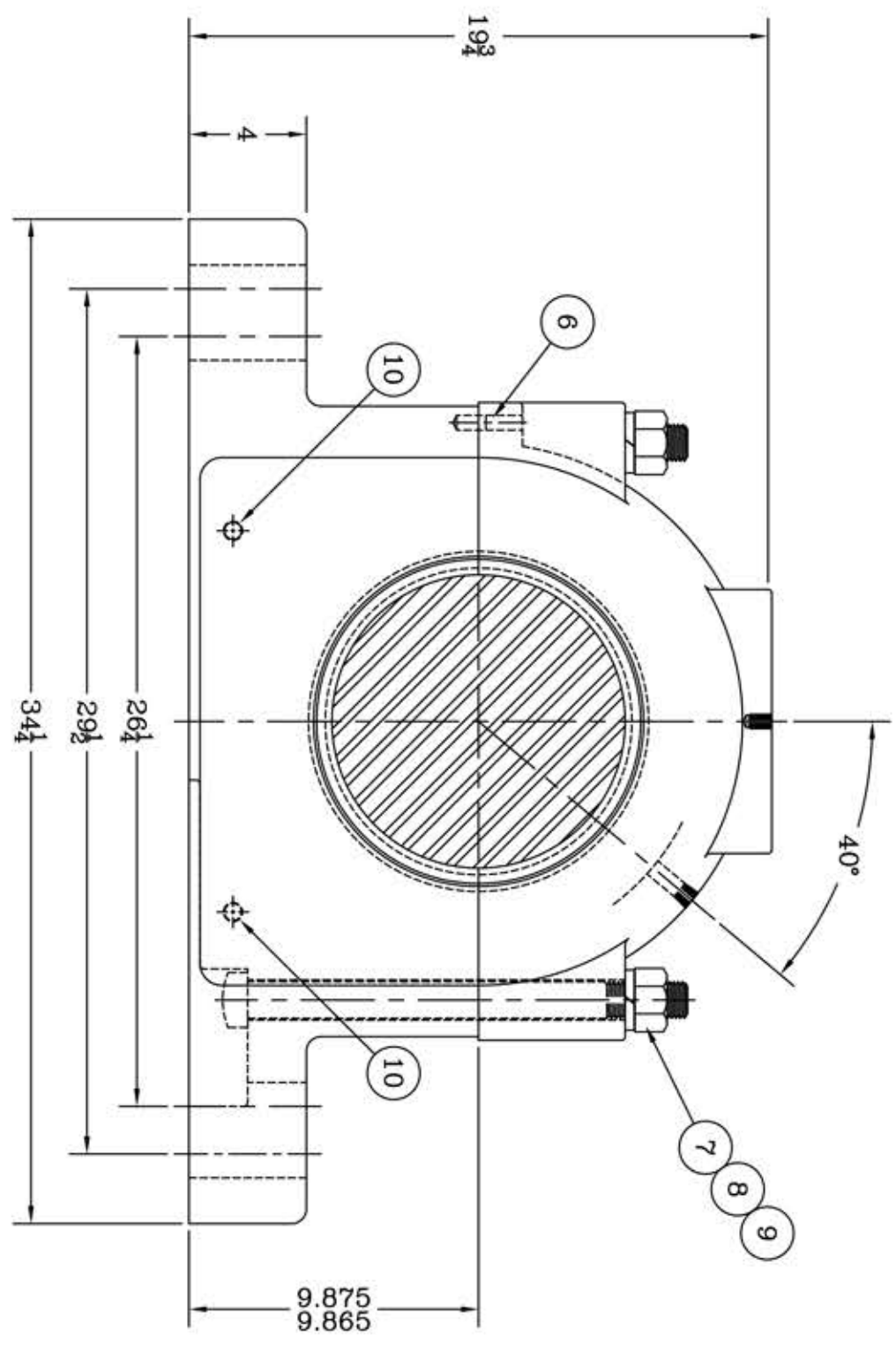
This drawing is the sole property of Miether Bearing Products and contains confidential and proprietary information. It is being provided to you for your use and may not be disclosed to any third party or used for any other purpose without Miether's prior written consent. The [materials] must be returned to the Company upon its demand. Your acceptance of these materials constitutes your acceptance of the foregoing terms.

C-35250



(4) CORED HOLES  
FOR  $\phi 1 \frac{1}{8}$  BASE BOLTS

ITEM	DESCRIPTION	DETAIL	REQUIRED
1	HOUSING SAFD 056 K 10-00	C-	1 1
2	SPHERICAL ROLLER BEARING	23056K/W-33	1 1
3	STABILIZING RING A-8819	A-10575	2 0
4	ADAPTER SNP-3056 10-00	24272	1 1
5	TRIPLE SEAL RING ER-705	A-10574	2 2
6	DOWEL	$\frac{1}{2}$ x 1" LONG	2 2
7	CAP BOLT SQUARE HEAD GR.5	$1 \frac{1}{4}$ -7 NC x 15" LONG @	4 4
8	CAP BOLT HEX. NUT	$1 \frac{1}{4}$ -7 NC	4 4
9	LOCKWASHER	$1 \frac{1}{4}$ SPLIT MED.	4 4
10	PIPE PLUG	$\frac{3}{8}$ -18 NPT	4 4



REVISIONS

SYMBOL	DESCRIPTION
V	...
D	...
E	...
F	...
G	...
J	...
K	...

SAFD 23056 K 10-00  
ASSEMBLY DRAWING

SCALE 1 = 4  
DRAWN PCF  
DATE 1-7-13  
CHK:

ASSEMBLY NO.  
DRAWING NO.  
C-35250

AN ALCO INDUSTRIES COMPANY  
BEARING PRODUCTS  
ODESSA, TX. USA

TOLERANCE: UNLESS OTHERWISE SPECIFIED  
FRACTIONS  $\pm 1/32$ "  
DECIMALS  $\pm .005$   
CASTING  $\pm 1/16$ "  
WELD  $\pm 1/16$ "  
ANGLES  $\pm 0^\circ 30'$   
A.I.S.I. STANDARD FINISHES